

3-640311-1 ✓ ACTIVE

AMP-IN

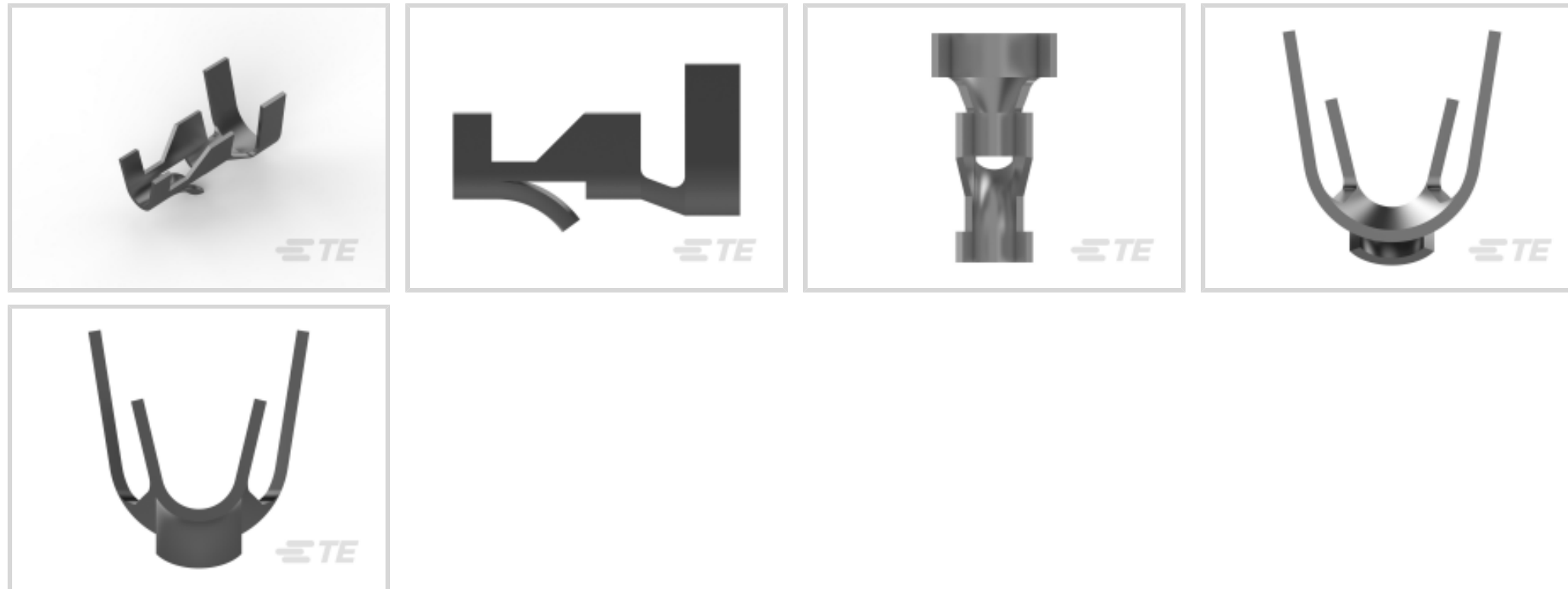
TE Internal #: 3-640311-1

PCB Terminals, PCB Pin, PCB Hole Diameter 1.83 mm [.072 in], 22 – 18 AWG Wire Size, .3 – .9 mm² Wire Size, Crimp, Pre-Tin Plating, Reel

[View on TE.com >](#)



Terminals & Splices > PCB Terminals



PCB Terminal Type: PCB Pin

PCB Thickness (Recommended): 1.57 mm [.062 in]

PCB Hole Diameter: 1.83 mm [.072 in]

Profile Height from PCB: 1.35 mm [.053 in]

Accepts Wire Insulation Diameter (Max): 2.79 mm [.11 in]

Features

Product Type Features

PCB Terminal Mounting Style	Stud Mount
-----------------------------	------------

Configuration Features

Stud Hole	No
Terminal Angle	180 °

Body Features

Finish	Bright
--------	--------

Contact Features

Contact Plating Material	Tin
PCB Terminal Type	PCB Pin
Terminal Plating Material	Pre-Tin
Terminal Size	Miniature
Terminal Orientation	Straight

Termination Features

--	--



Termination Method to Wire & Cable	Crimp
------------------------------------	-------

Product Terminates To	Printed Circuit Board
-----------------------	-----------------------

Mechanical Attachment

Wire Insulation Support	With
-------------------------	------

Dimensions

Extension Below Board	3.68 mm[.145 in]
-----------------------	------------------

PCB Thickness (Recommended)	1.57 mm[.062 in]
-----------------------------	------------------

PCB Hole Diameter	1.83 mm[.072 in]
-------------------	------------------

Profile Height from PCB	1.35 mm[.053 in]
-------------------------	------------------

Accepts Wire Insulation Diameter (Max)	2.79 mm[.11 in]
--	-----------------

Accepts Wire Insulation Diameter Range	1.52 – 2.79 mm[.06 – .11 in]
--	------------------------------

Wire Size	.3 – .9 mm ²
-----------	-------------------------

Usage Conditions

Insulation Option	Uninsulated
-------------------	-------------

Operating Temperature Range	-55 – 105 °C[-67 – 221 °F]
-----------------------------	----------------------------

Packaging Features

Packaging Quantity	8000
--------------------	------

Packaging Method	Reel
------------------	------

Other

Comment	Higher tensile available with nose crimp., Machine applied applicator required., No hand tools available., Not available in loose piece.
---------	--

Product Compliance

[For compliance documentation, visit the product page on TE.com>](#)

EU RoHS Directive 2011/65/EU	Compliant
------------------------------	-----------

EU ELV Directive 2000/53/EC	Compliant
-----------------------------	-----------

China RoHS 2 Directive MIIT Order No 32, 2016	No Restricted Materials Above Threshold
---	---

EU REACH Regulation (EC) No. 1907/2006	Current ECHA Candidate List: JUNE 2022 (224) Candidate List Declared Against: JUNE 2022 (224) Does not contain REACH SVHC
--	---

Halogen Content	Low Halogen - Br, Cl, F, I < 900 ppm per
-----------------	--

homogenous material. Also BFR/CFR/PVC Free

Solder Process Capability

Wave solder capable to 265°C

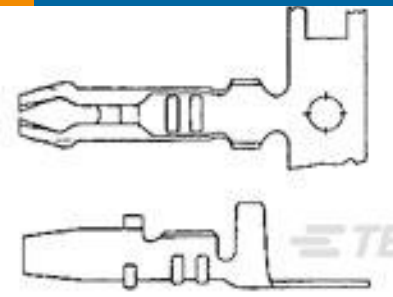
Product Compliance Disclaimer

This information is provided based on reasonable inquiry of our suppliers and represents our current actual knowledge based on the information they provided. This information is subject to change. The part numbers that TE has identified as EU RoHS compliant have a maximum concentration of 0.1% by weight in homogenous materials for lead, hexavalent chromium, mercury, PBB, PBDE, DBP, BBP, DEHP, DIBP, and 0.01% for cadmium, or qualify for an exemption to these limits as defined in the Annexes of Directive 2011/65/EU (RoHS2). Finished electrical and electronic equipment products will be CE marked as required by Directive 2011/65/EU. Components may not be CE marked. Additionally, the part numbers that TE has identified as EU ELV compliant have a maximum concentration of 0.1% by weight in homogenous materials for lead, hexavalent chromium, and mercury, and 0.01% for cadmium, or qualify for an exemption to these limits as defined in the Annexes of Directive 2000/53/EC (ELV). Regarding the REACH Regulation, the information TE provides on SVHC in articles for this part number is based on the latest European Chemicals Agency (ECHA) 'Guidance on requirements for substances in articles' posted at this URL: <https://echa.europa.eu/guidance-documents/guidance-on-reach>

Compatible Parts



TE Part # 640311-5
MINI AMP-IN 22-18 AWG POST TIN PLTD



TE Part # 170072-6
AMP-IN KONTAKT



TE Part # 170197-1
MINI AMP-IN 24-20 AWG



TE Part # 170197-2
MINI AMP-IN 24-20 AWG



TE Part # 2-2151209-1
OCEAN_2.0_Applicator-S-062F110F



TE Part # 2-2151209-2
OCEAN_2.0_Applicator-S-062F110F



TE Part # 2151209-1
OCEAN_2.0_Applicator-S-062F110F



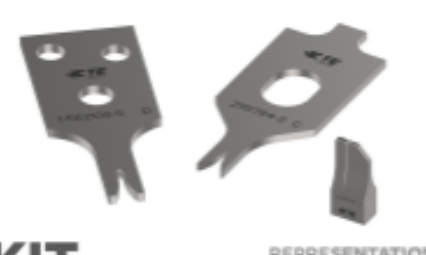
TE Part # 2151209-2
OCEAN_2.0_Applicator-S-062F110F




TE Part # 7-2151209-1
OCEAN_2.0_Applicator-S-062F110F



TE Part # 7-2151209-2
OCEAN_2.0_Applicator-S-062F110F



KIT
TE Part # 7-2151209-7
OCEAN_2.0_SPARE_PART_KIT-062F110F



KIT
TE Part # 7-2151209-8
OCEAN_2.0_SPARE_PART_KIT-062F062F110F

Documents

Product Drawings



MINI AMP-IN 22-18 AWG .008PTPPHBZ

English

CAD Files

Customer View Model

[ENG_CVM_CVM_3-640311-1_Y.2d_dxf.zip](#)

English

3D PDF

3D

Customer View Model

[ENG_CVM_CVM_3-640311-1_Y.3d_igs.zip](#)

English

Customer View Model

[ENG_CVM_CVM_3-640311-1_Y.3d_stp.zip](#)

English

By downloading the CAD file I accept and agree to the [Terms and Conditions](#) of use.

Datasheets & Catalog Pages

PRINTED CIRCUIT BOARD TERMINALS AND DISCONNECTS

English

Product Specifications

Application Specification

English

Product Environmental Compliance

[MD_3-640311-1_10262018647_dmtec](#)

English

[MD_3-640311-1_10262018647_dmtec](#)

English